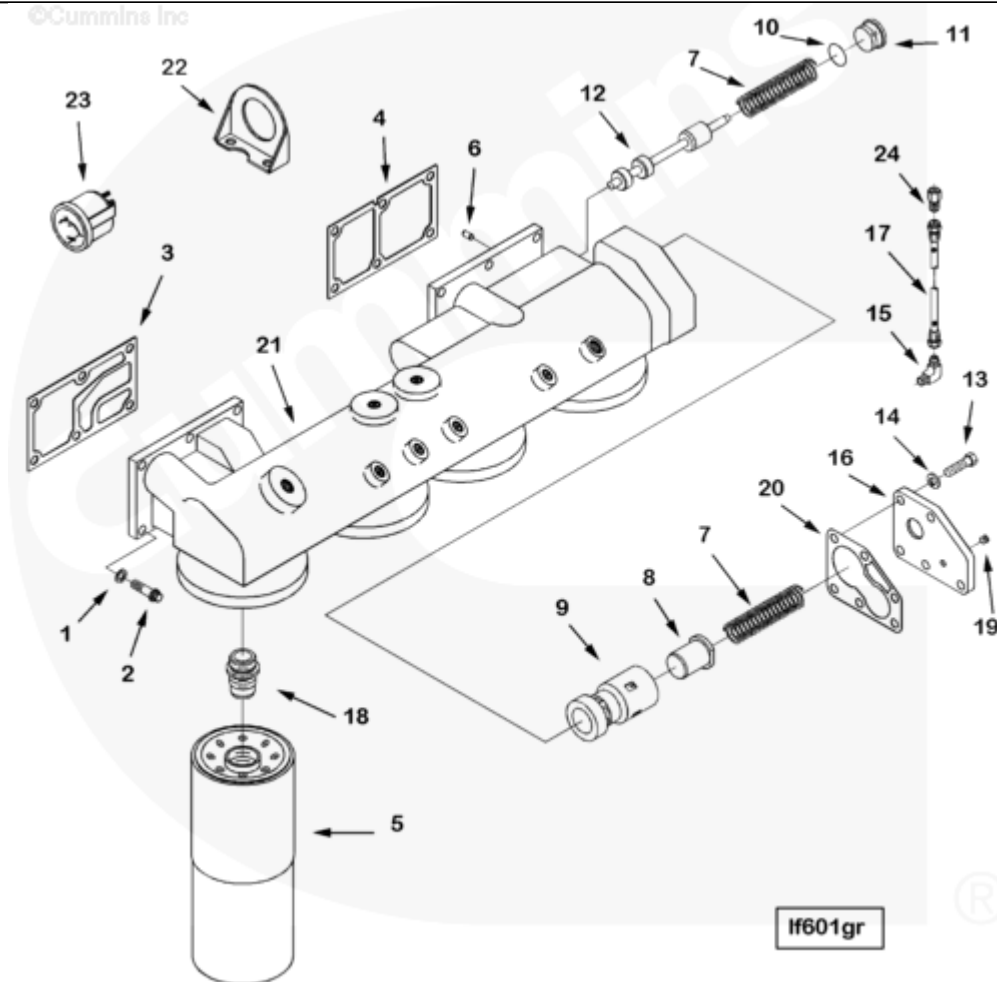




Parts Catalog - Option Detail

Electronic Parts Catalog - Option Detail				
Option	Group	Graphic	Film Card	Date
LF6039-02	07.03	lf601gr	K38	25-AUG-98
Engines	GTA38, K38, KTA38GC CM558, QSK38 CM2150 K106, QSK38 CM2150 MCRS, QSK38 CM850 MCRS			



[SMALL](#) | [MEDIUM](#) | [LARGE](#)

Cart	Ref No	Part Number	Part Description	Required	Remarks
<input type="button" value="View My Cart"/>					
		LF6039-02	Lubricating Oil Filter		Lube oil filter...(More)
					four element lube oil filter
					with replaceble extended life
					spin-on cartridges mounted on

					the left (port) side of the
					engine. The option includes
					mounted filter restriction
					gauge on filter head.
<input type="checkbox"/>	1	127362	Plain Washer	12	3/8 in.
<input type="checkbox"/>	2	191772	Twelve Point Cap Screw	12	3/8 - 16 X 1 1/4 in.
<input type="checkbox"/>	3	3177108	Filter Head Gasket	1	
<input type="checkbox"/>	4	3629387	Filter Head Gasket	1	
	5	3313305	Lubricating Oil Filter Element	4	
<input type="checkbox"/>	6	69558	Pin Dowel	1	
<input type="checkbox"/>	7	205659	Compression Spring	2	
<input type="checkbox"/>	8	3021618	Pressure Regulator Plunger	1	
<input type="checkbox"/>	9	3028552	Bypass Valve Body	1	
<input type="checkbox"/>		3040818	Threaded Plug	1	1 3/16 - 12 UN
<input type="checkbox"/>	10	3035228	O-Ring Seal	1	
	11	3040819	Threaded Plug	1	
<input type="checkbox"/>	12	3627927	Pressure Regulator Plunger	1	
<input type="checkbox"/>	13	S 103 D	Hexagon Head Cap Screw	6	3/8 - 16 x 1 1/4 in.
<input type="checkbox"/>	14	S 604	Lock Washer	6	3/8 in.
<input type="checkbox"/>	15	112105	Male Adapter Elbow	2	
<input type="checkbox"/>	16	3177433	Cover Plate	1	
<input type="checkbox"/>	17	AS 4011 SL	Flexible Hose	2	
<input type="checkbox"/>	18	3627309	Filter Head Adapter	4	
<input type="checkbox"/>	19	3628604	Pipe Plug	1	1/8 - 27 X 0.3 in.
<input type="checkbox"/>	20	3629141	Lubricating Oil Filter Cover Gasket	1	
<input type="checkbox"/>		3630555	Lubricating Oil Filter Head	1	
<input type="checkbox"/>	21	3630432	Lubricating Oil Filter Head	1	
<input type="checkbox"/>	22	3632021	Instrument Bracket	1	
<input type="checkbox"/>	23	3866089	Pressure Gauge	1	
<input type="checkbox"/>	24	3866090	Plain Adapter	2	

